

# TOTO®

# MS614124CEF(R)(G)

## Carlyle® II One-Piece Toilet - 1.28GPF

### FEATURES

- TORNADO FLUSH® flushing system, low consumption (1.28GPF/4.8LPF)
- Skirted design
- CEFIONTECT® ceramic glaze - prevents debris and mold from sticking to ceramic surfaces, leading to fewer chemicals and less water in cleaning
- Universal Height
- Decorative one-piece design with high-profile tank
- Elongated front bowl with SoftClose® seat SS124
- 12" Unifit rough-in
- Chrome trip lever

### MODELS

- MS614124CEFG  
With CEFIONTECT ceramic glaze, SS124 SoftClose seat included
- MS614124CEFRG  
Same as above, with right-hand trip lever
- MS614124CEF  
Without CEFIONTECT, SS124 SoftClose seat included (#51 only)

### COLORS/FINISHES

- #01 Cotton
- #03 Bone
- #11 Colonial White
- #12 Sedona Beige
- #51 Ebony (not available in CEFIONTECT)

### OPTIONAL ROUGH-IN

- 10" rough-in      TSU01W.10R
- 14" rough-in      TSU01W.14R

### PRODUCT SPECIFICATION

The one-piece high-efficiency Tornado Flush flushing system toilet shall be 1.28GPF/4.8LPF. Toilet shall have optional CEFIONTECT ceramic glaze and be at Universal Height. Toilet shall have high-profile tank, elongated front bowl with SoftClose seat and Chrome trip lever. Toilet shall be TOTO Model MS614124CEF(R)(G).



 **TORNADO FLUSH**

 **CEFIONTECT**

### CODES/STANDARDS

- Meets or exceeds ASME A112.19.2/CSA B45.1
- Certifications: IAPMO(cUPC), EPA Watersense, State of Massachusetts, City of Los Angeles, and others
- Code compliance: UPC, IPC, NSPC, NPC Canada, and others
- Legislative Compliance: California AB715, California Green Building Code, City of Los Angeles Water Efficiency Ordinance
- ADA compliant (when installed with trip lever located on the approach side)
- Complies with CA Prop 65 warning requirements

**NOM**



Controlled by  
Copyright © 2013

# MS614124CEF(R)(G)

## Carlyle® II One-Piece Toilet - 1.28GPF

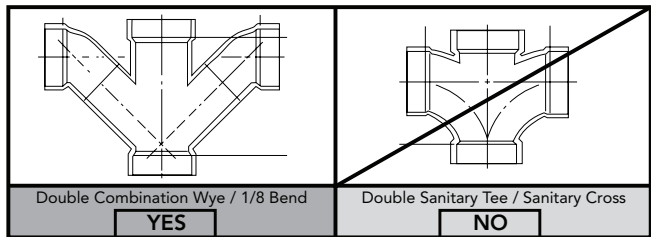
### SPECIFICATIONS

Water Use	1.28 GPF (4.8 LPF)
Flush System	TORNADO FLUSH®
Min. Water Pressure	8 psi (Flowing)
Water Surface	6-7/8" x 9-3/4"
Trap Diameter	2-1/8"
Rough-in	12" (10" & 14" Optional)
Trap Seal	2-1/8"
Warranty	One Year Limited Warranty
Material	Vitreous China
Shipping Weight	110 lbs
Shipping Dimensions	MS614124CEF(G) 32" L x 20" W x 17-3/4" H <sup>1</sup> x 28-3/4" H <sup>2</sup>

### INSTALLATION NOTES

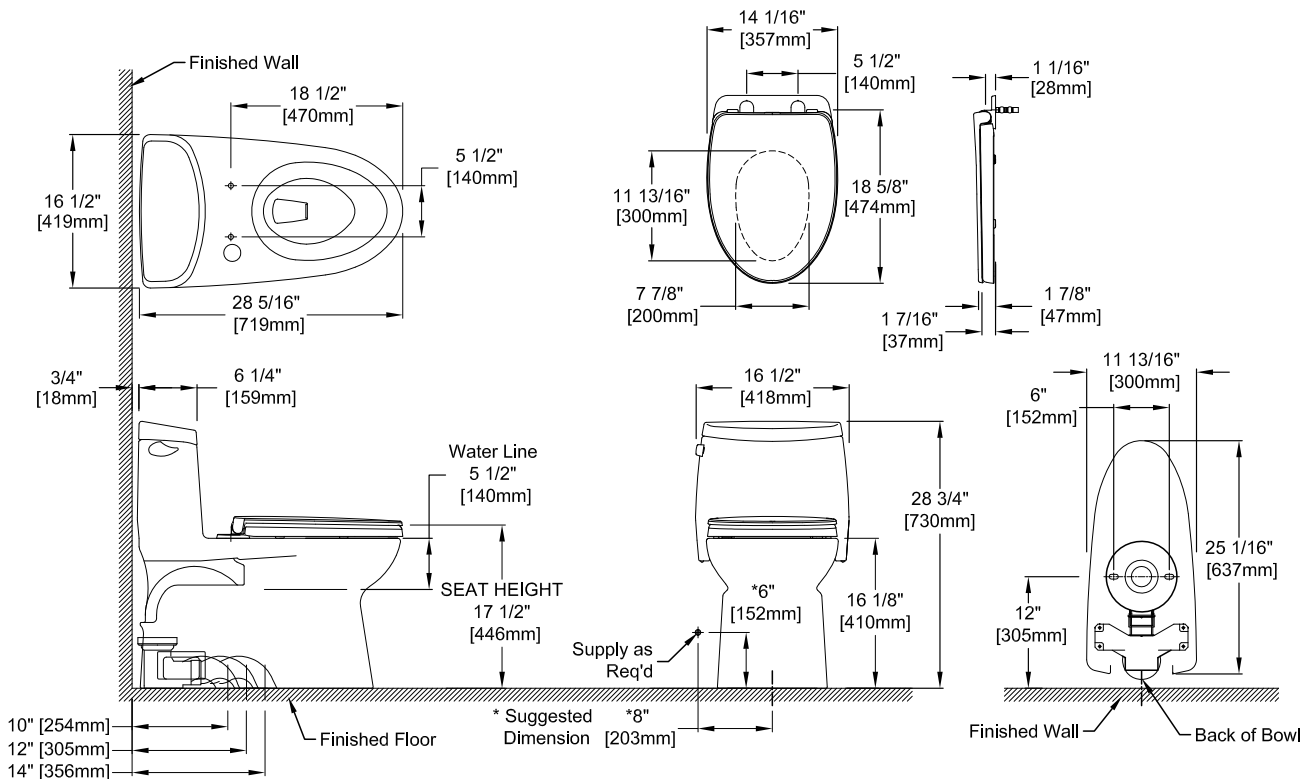
#### Back-to-Back Toilet Installations:

TOTO recommends the use of a nationally listed, double sanitary tee-wye only, in vertical waste stacks, in accordance with the stipulations noted in the majority of nationally recognized plumbing codes.



To maintain adequate wall gap between the back of the tank and wall, mount the floor flange at a nominal 12" rough-in distance.

### DIMENSIONS



**TOTO**

*These dimensions and specifications are subject to change without notice*