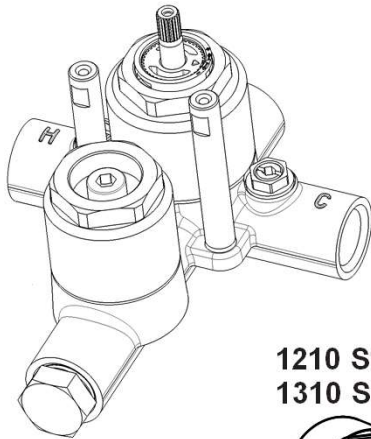


# in2aqua

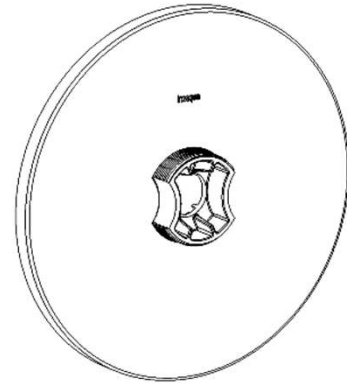
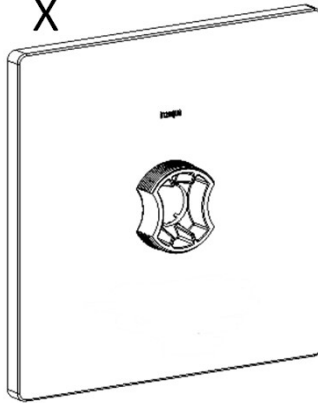
## in2aqua Strata; in2aqua Riva, in2aqua Lana

### Mounting- and operating instructions

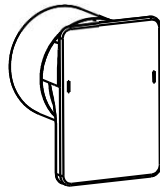
1194 2 99 2  
1194 2 98 2



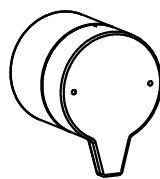
X



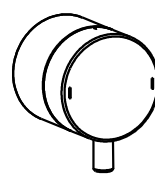
1210 Strata X  
1310 Strata



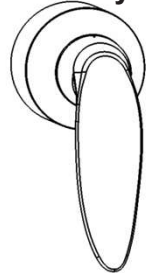
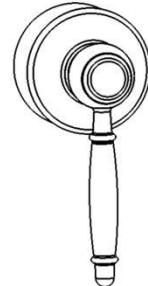
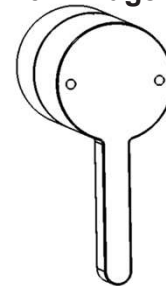
1209 Riva X  
1309 Riva



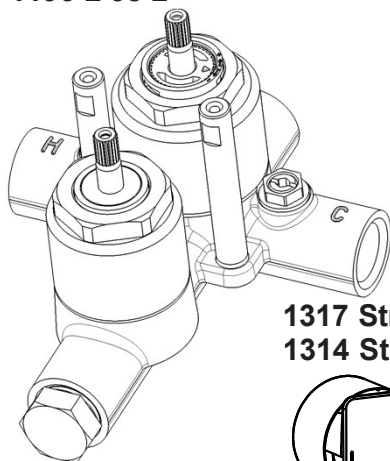
1211 Lana X  
1311 Lana



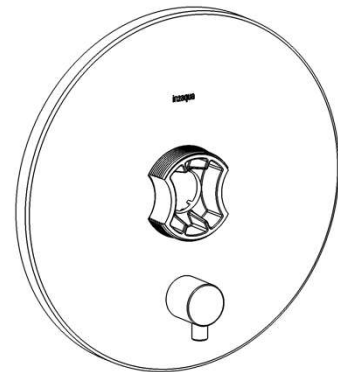
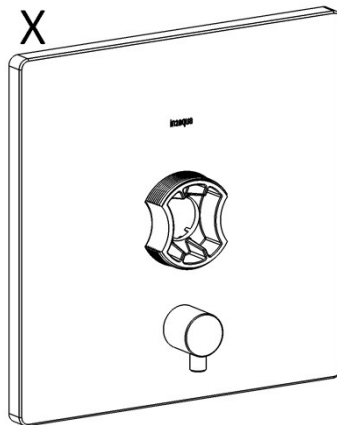
1017 Edge 1007 Classic 1012 Style



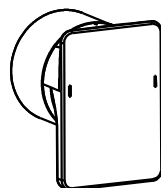
1195 2 99 2  
1195 2 98 2  
1196 2 99 2  
1196 2 98 2



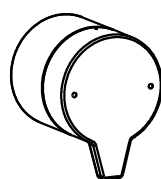
X



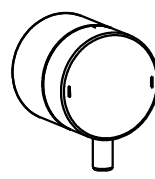
1317 Strata X  
1314 Strata



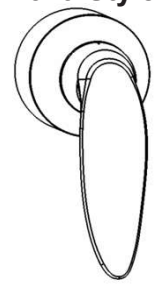
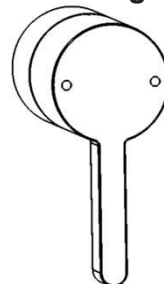
1315 Riva X  
1312 Riva



1316 Lana X  
1313 Lana



1318 Edge 1320 Classic 1319 Style



US

EU

**in2aqua GmbH**

Königstrasse 26 • 70173 Stuttgart, Germany

Phone: +49 (0)7127 9296 141 • 1 800 257 6051

[www.in2aqua.de](http://www.in2aqua.de) • [www.in2aqua.com](http://www.in2aqua.com) • [info@in2aqua.com](mailto:info@in2aqua.com)

**in2aqua empfiehlt eine professionelle Installation.**

in2aqua recommends professional installation.

in2aqua recommande que l'installation soit effectuée par un professionnel.

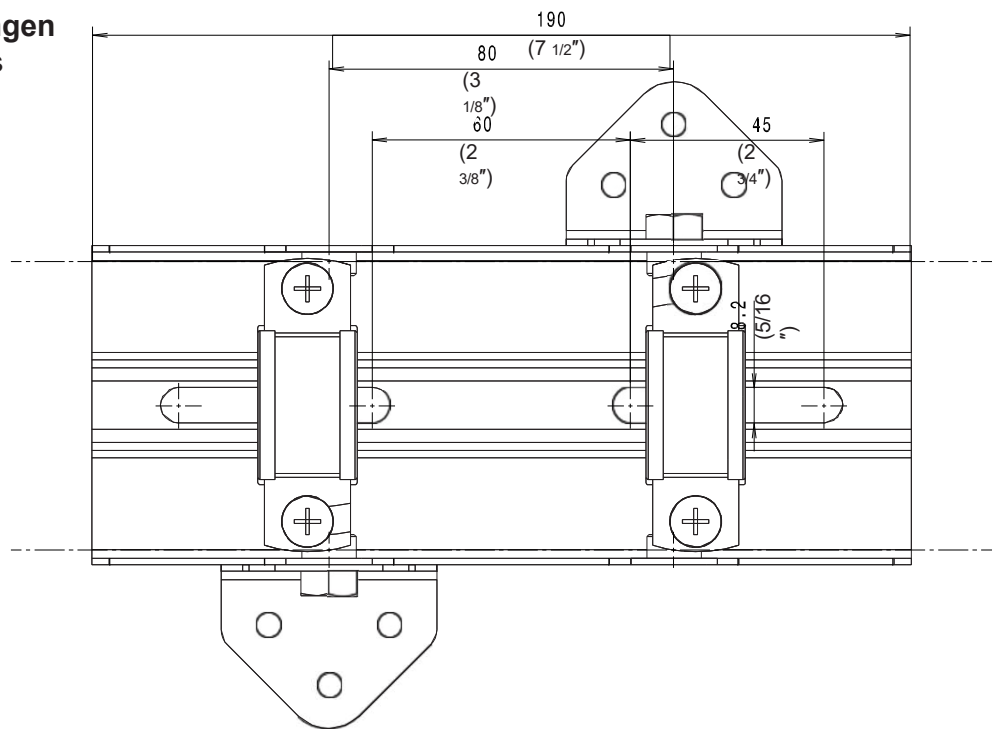
in2aqua recomienda una instalación profesional.

**Achtung!** **Vor Einbau der Armatur Rohrleitung gut spülen**  
Attention! Flush pipes well before installing mixer  
Attention! Purger l'installation avant la pose de la robinetterie  
¡Atención! Antes de colocar el monobloc purgar la instalación

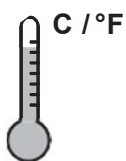
**Achtung!** **Allgemein anerkannte Regeln der Technik sind einzuhalten.**  
Attention! Please observe any recognised general technical rules.  
Attention! Prière de respecter les règle générales de la technique reconnues.  
¡Atención! Observar las reglas técnicas generales establecidas.

**Achtung!** **Bei Frostgefahr Hausanlage entleeren.**  
Attention! If there is a danger of frost, drain domestic system.  
Attention! En cas de risque de gel, vidanger l'installation domestique.  
¡Atención! Si hay peligro de heladas, proceda a desaguar el sistema de fontanería de la casa.

**Montagesystem Abmessungen**  
Mounting system dimensions



**Technische Daten • Technical details • Dates techniques • Datos técnicos**



opt. 40-65°C / 104-149°F  
max. 90°C / 194°F

3 bar  
(43,5 psi)



min. 0,1 MPa (1 bar / 14,5psi)  
opt. 0,3 MPa (3 bar / 43,5 psi)  
max. 0,55 MPa (5,5 bar / 80 psi)



10 bar  
(145 psi)

max. Prüfdruck  
max. Testing Pressure  
max. Pression d'épreuve  
max. Presión de prueba

# Einbaumaße

Installation dimensions

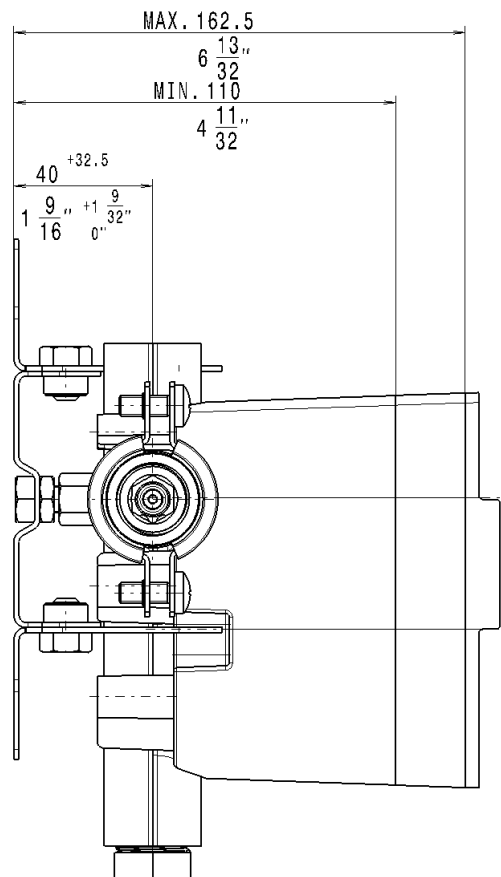
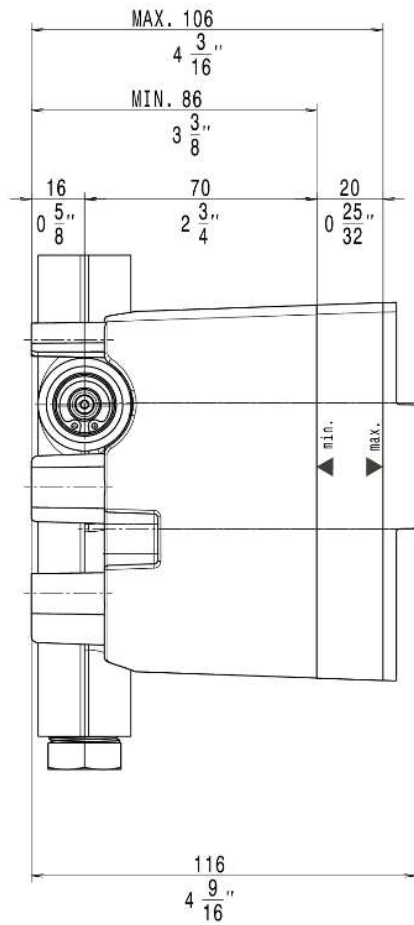
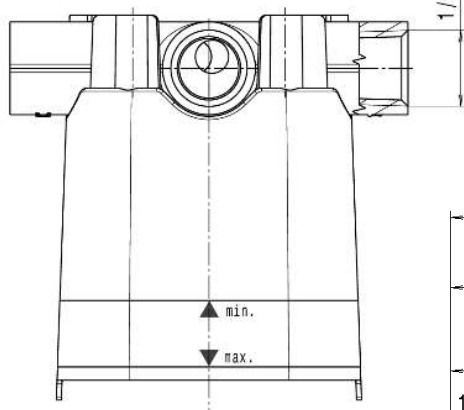
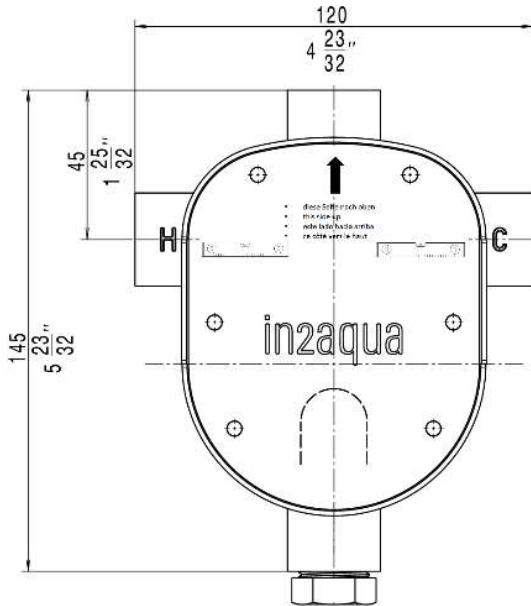
Dimensions d'encastrement

Dimensiones de instalación

1194 2 XX 2

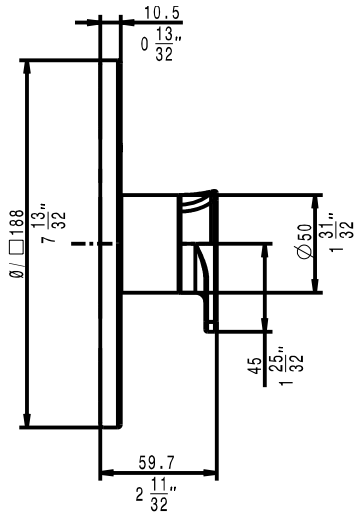
1195 2 XX 2

1196 2 XX 2

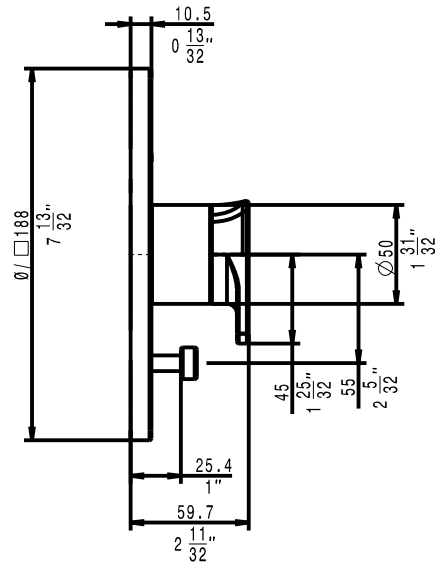


1194 2 99 2 with in2itiv  
1195 2 99 2 with in2itiv  
1196 2 99 2 with in2itiv

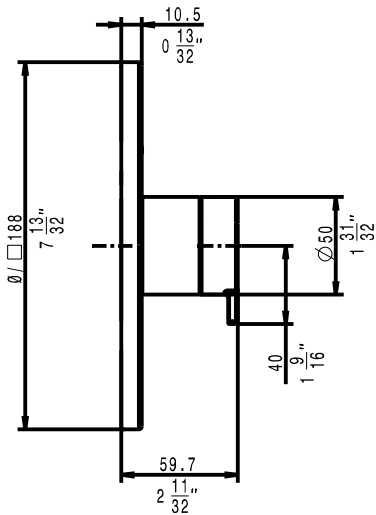
**1210 2 XX 2**  
**1310 2 XX 2**



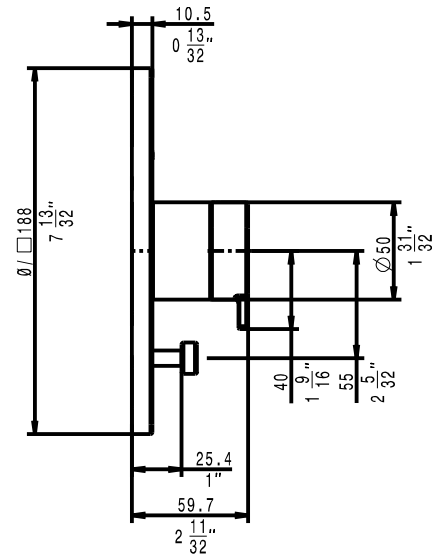
**1317 2 XX 2**  
**1314 2 XX 2**



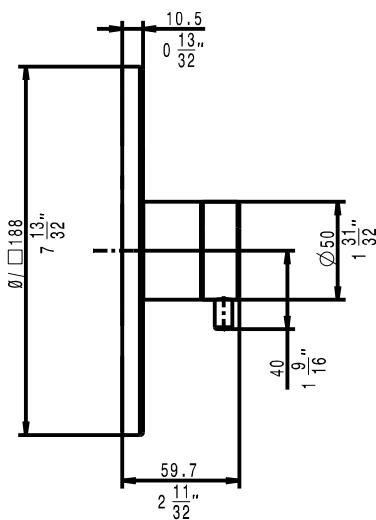
**1209 2 XX 2**  
**1309 2 XX 2**



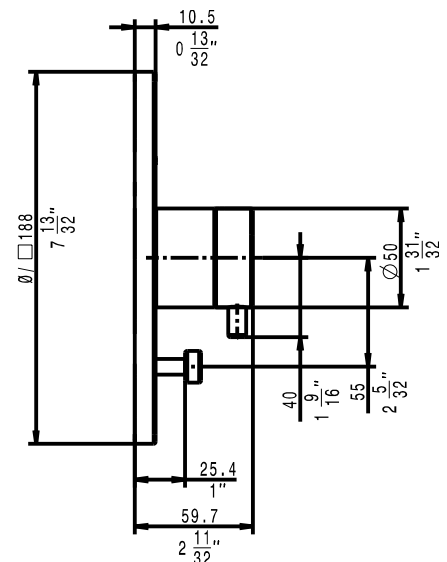
**1315 2 XX 2**  
**1312 2 XX 2**



**1211 2 XX 2**  
**1311 2 XX 2**

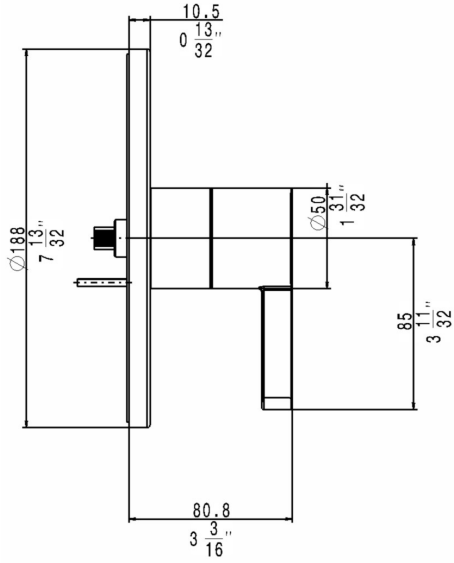


**1316 2 XX 2**  
**1313 2 XX 2**

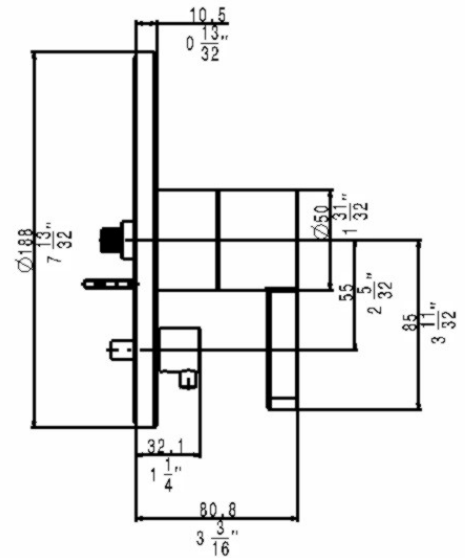


Subject to technical alteration

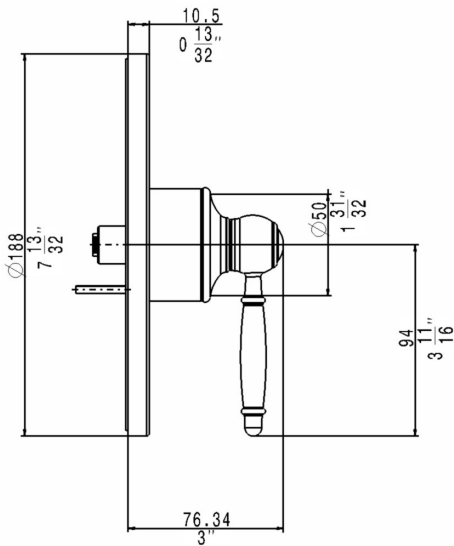
1017 2 XX 2



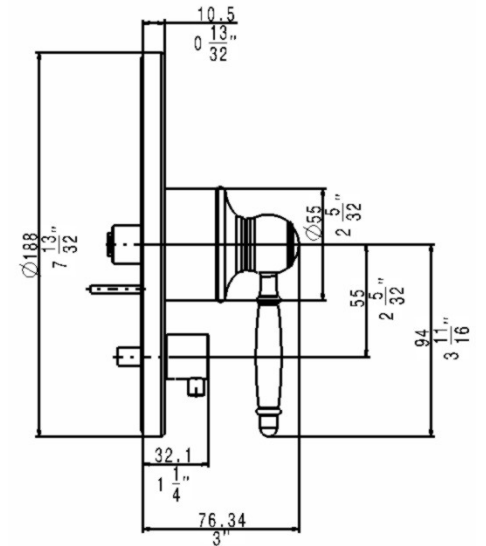
1318 2 XX 2



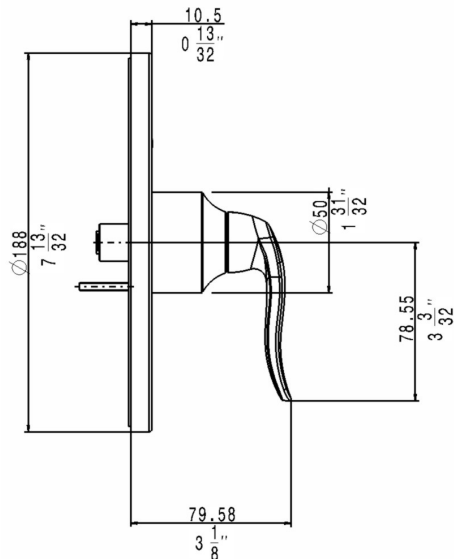
1007 2 XX 2



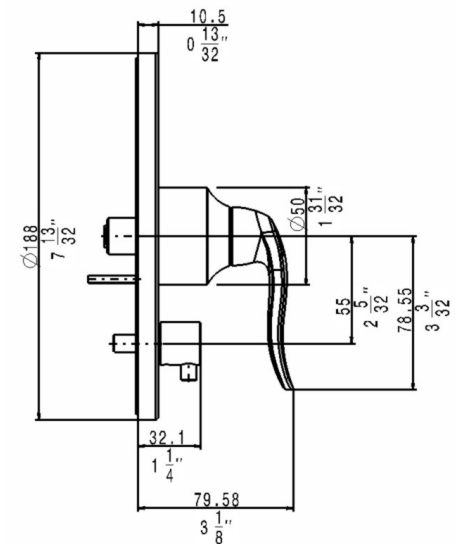
1320 2 XX 2



1012 2 XX 2



1319 2 XX 2

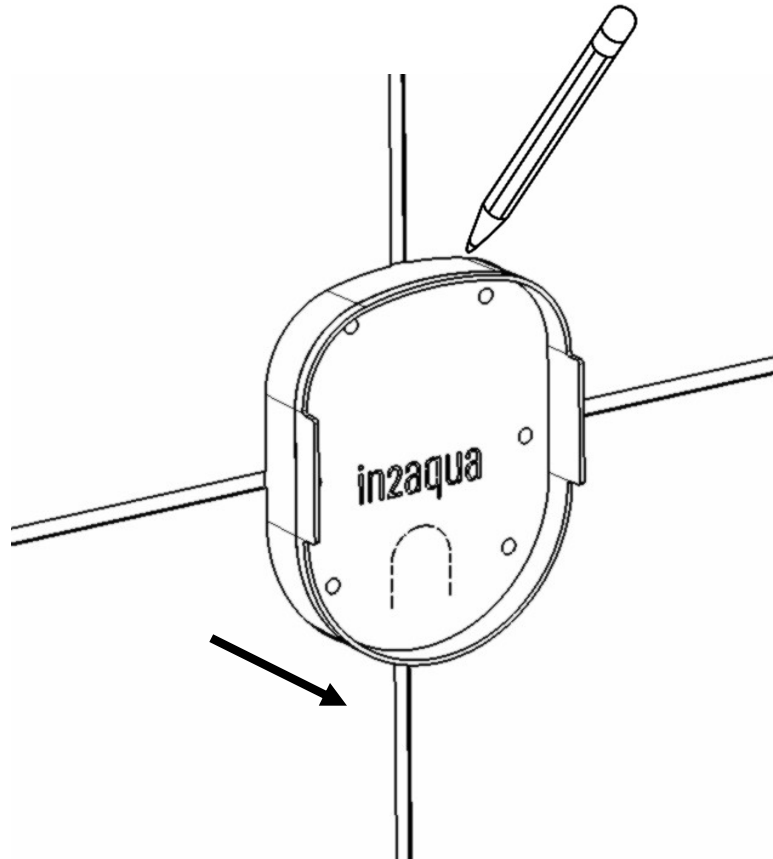


Subject to technical alteration

①

**Position markieren**

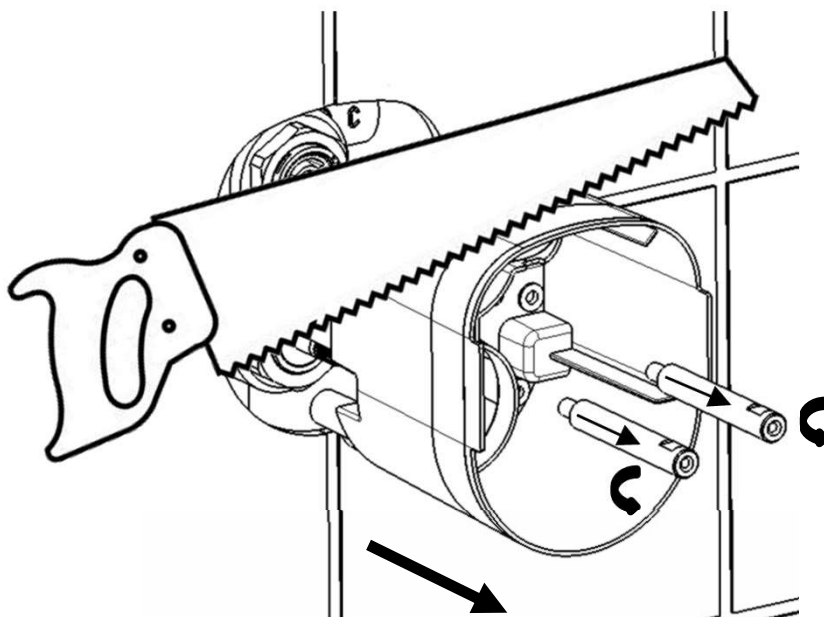
Mark position



②

**Abdeckung ablängen**

Shorten protective cover



## Fertigmontage

Complete assembly

Montage final

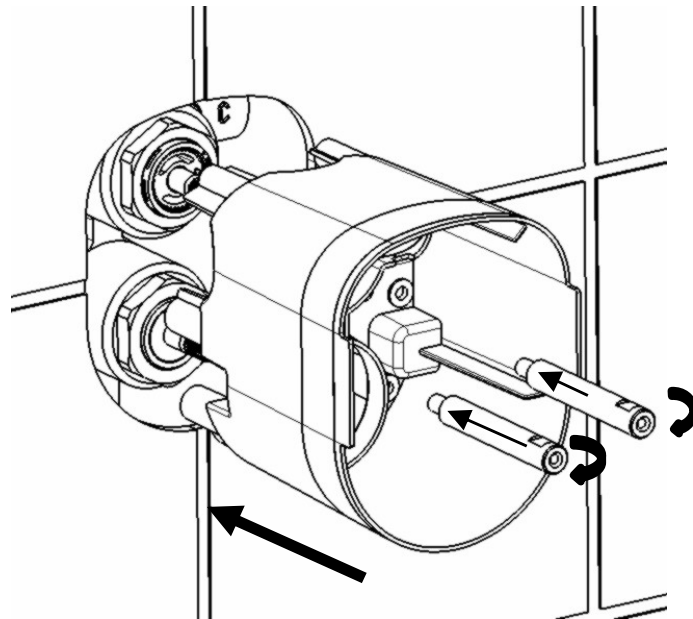
Montaje final

7

3

### Gekürzte Abdeckung wieder anbringen

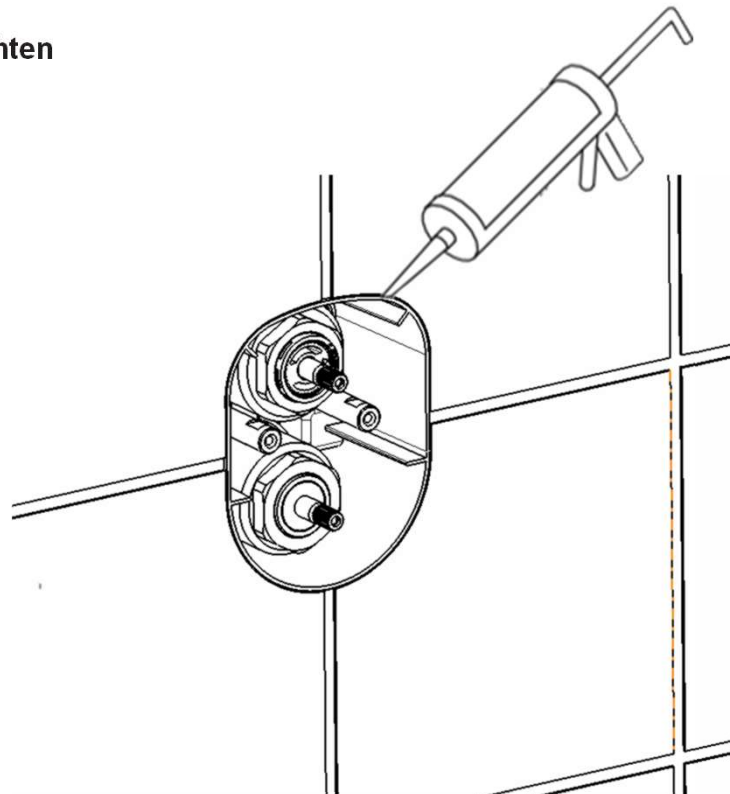
Reattach shortened cover



4

### Feinjustieren und abdichten

Fine-tune and seal off



## Fertigmontage

Complete assembly

Montage final

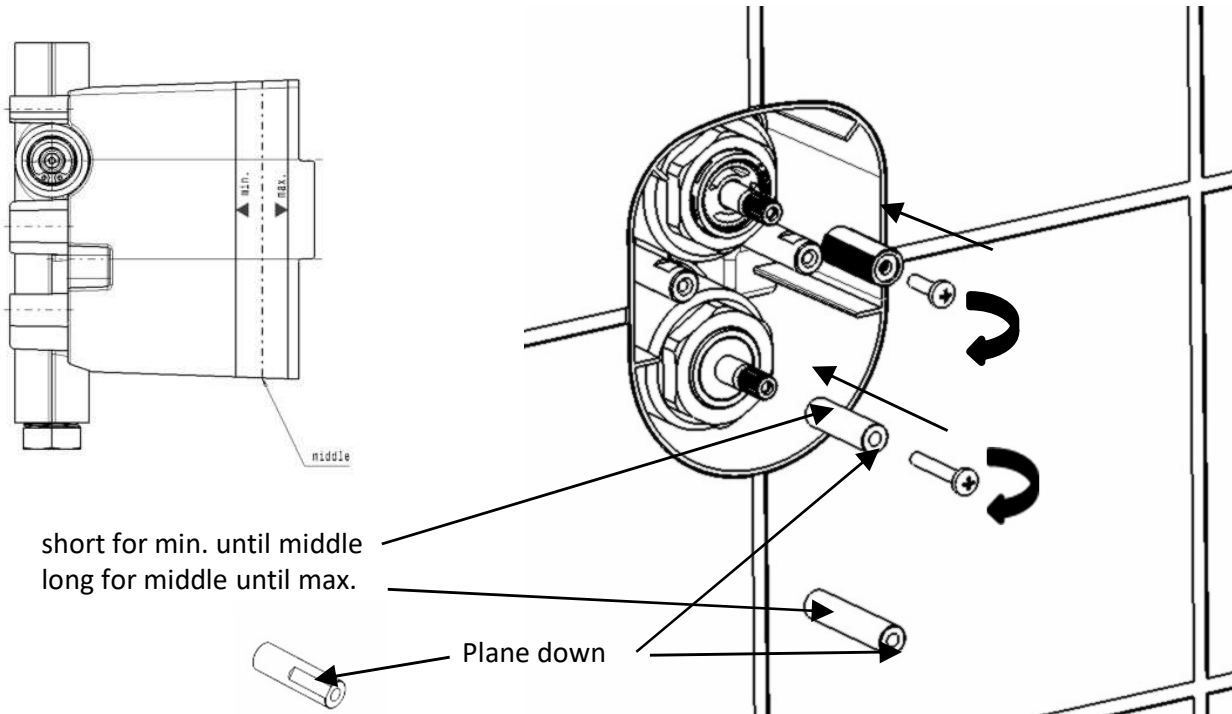
Montaje final

8

5

### Adapter Montieren

Assembly Adapter



### Operation:

A counterclockwise rotation opens the valve beginning with cold water.

An adjustable hot limit stop reduces risk of accidental scalding.

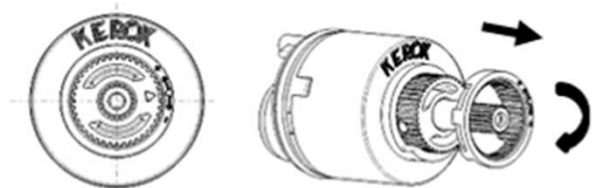
Clockwise rotation of the handle closes the valve. The valve's comfort zone ensures a safe, reliable and precise adjustment of mixed water temperature in the range from 95°F (35°C) to 105°F (40°C).

### Setting hot limit stop:

Rotate cartridge stem counterclockwise until a desired and safe hot water temperature is reached.

Place the hot limit ring over the splines on the stem with the hot limit ring resting against the stop post on the valve cover.

The hot limit stop ring may need to be repositioned seasonally due to inlet water temperature variations



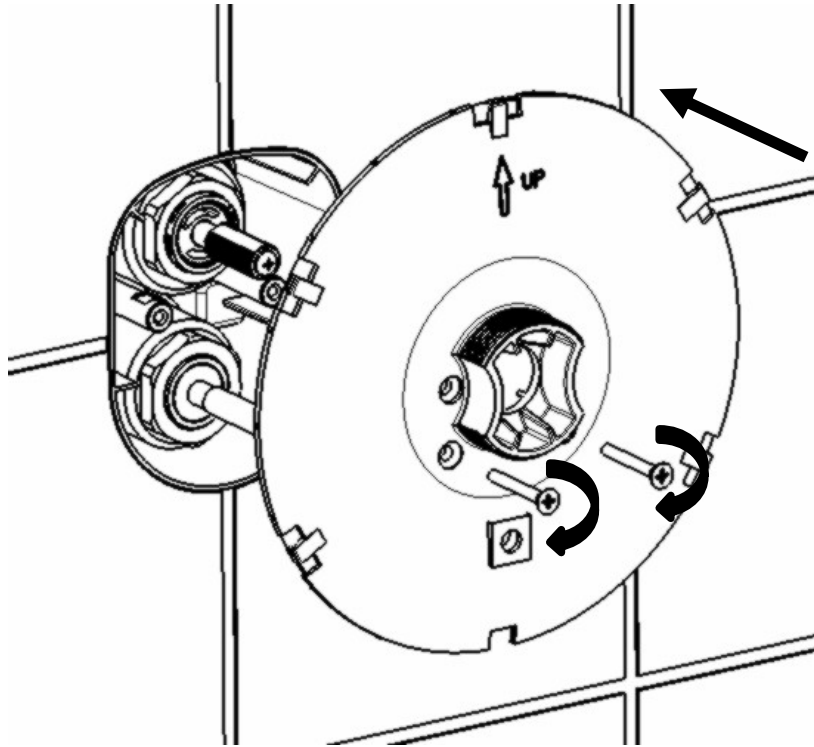
The featherlight touch of the handle provides simple and easy control for the young or elderly. Pull diverter to switch between bath and shower.



**6**

**Rosettenträger montieren**

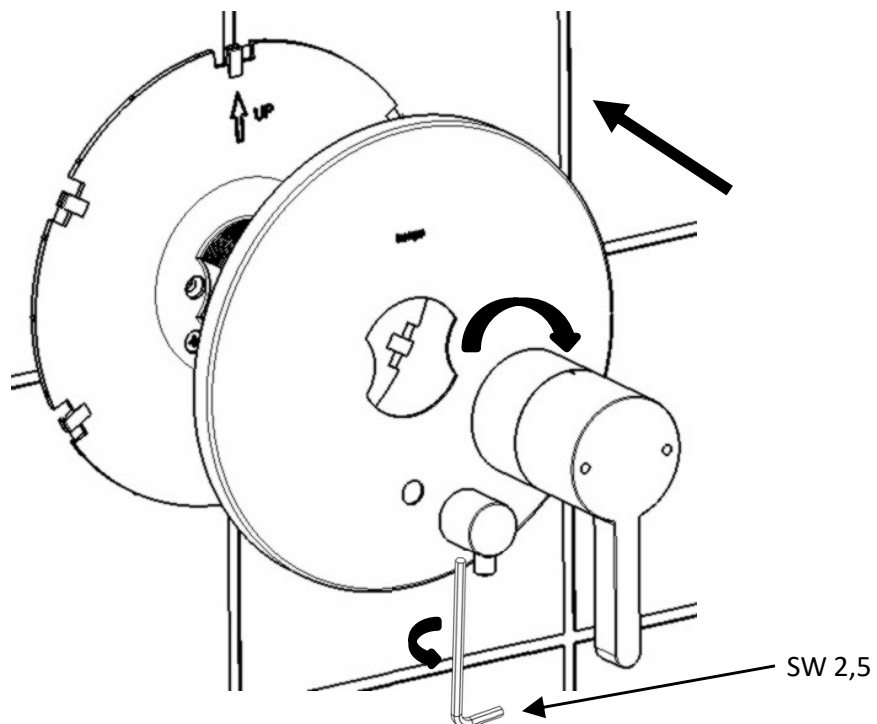
Assembly holder



**7**

**Rosette und Griffe montieren**

Assembly holder and handles



**Dear Customer,**

You have purchased a high-quality product, and to maintain its beautiful appearance for a long time to come, we suggest that you care for it as follows:

Chrome, velvet chrome and colour coated surfaces are sensitive to cleaning agents containing acids or abrasives as well as abrasive sponges.

**Important!**

Colour coated surfaces require extra care during installation and use. Slight colour variations can occur with colour coated faucets as a result of unavoidable process variations.

**Maintenance:**

Dirt and surface calcination are best removed with soapy water, followed by rinsing with plain water and drying. Avoid exposure of colour coated surfaces to disinfectants or cleaning agents containing alcohol, and treat such surfaces as described above.

Careless treatment of faucets invalidates in2aqua guarantee provisions.



<b>Malfunction:</b>	<b>Cause:</b>	<b>Remedy:</b>
Hot and cold reversed.	Hot and cold water supplies have been connected in reverse.	Rotate cartridge
Tub filler shower head drips after shutting off the valve.	Water remains in the shower piping. (This is normal.)  Incorrect setting of the stop ring causing a partially opened cartridge.	Allow approximately 3-5 minutes to drain column, or push lever on tub spout to the tub fill position.  Reset the hot limit stop ring as described in rough-in installation.
Shower insufficiently hot.	Cartridge inlet O-ring seal is faulty.  Hot limit stop incorrectly set.	Check the O-ring for cuts or damage and replace if necessary.  Refer to the instruction: Check hot water temperature.
No flow of hot or cold water.	Either the hot or cold side is not fully pressurized, Debris caught inside the inlet of the cartridge.	Be sure service stops are both fully open and system is pressurized.
Valve body too deep in wall.	No engagement between handles and plastic driver.  Improper installation.	Remove cartridge and flush out or remove any debris lodged inside the hot or cold inlets.  Install extension kit

**Never try to stop dripping by applying excessive force to the handle when closing the valve.**

**US**

Ideal operating pressure: 3 bar (45 psi)  
 Max. operating pressure: 5 bar (70 psi)  
 Equal pressures cold/warm recommended.  
 Ideal water temperature: 65°C (149°F)  
 Max. hot water temperature: 90°C (194°F)



**Attention:**  
Before installation flush pipes thoroughly !