

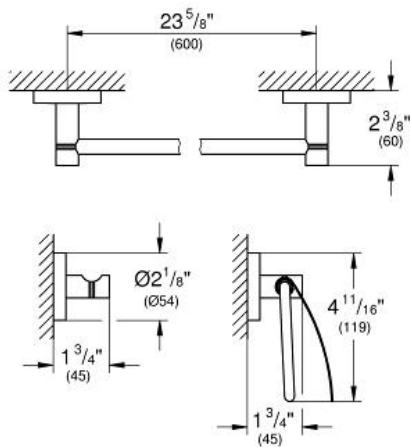
ESSENTIALS

MODEL # 40775

Pure Freude an Wasser



GROHE America, Inc | 200 North Gary Avenue, Suite G, Roselle, IL 60172
Phone: +1 (800) 444-7643 | Fax: +1 (800) 225-2778 | us-customerservice@grohe.com



Product Description:

Standard Specification:

- Material: metal
- 24" towel rail (40 366 001)
- Robe hook (40 364 001)
- Toilet paper holder with cover (40 367 001)
- Concealed fastening
- GROHE StarLight® finish

Color:

- 40775 001 chrome
- 40775 EN1 brushed nickel