

**Florestone  
Model 3PC-40-62H  
Barrier-Free Shower**

O.D. = 62" x 39" x 77"  
I.D. = 60" x 37" x 76"  
Weight: 320 lbs.

**Architect's  
Specifications**

Furnish and install three-piece gel-coated fiberglass shower stall Model 3PC-40-62H designed for barrier-free use as manufactured by Florestone Products Company. Basic shower will conform to ANSI-Z-124.2. Unit to include stainless steel curtain rod; Symmons® pressure balance mixing valve with concealed check stops; Moen® hand-held shower head with hose and chrome-plated slide bar; stainless steel corner grab bar; stainless steel recessed soap dish; white naugahyde folding wheelchair transfer seat (specify right or left hand).

Supplied with 2" brass drain.

Shower curtain optional.

Curtain Size: 72" x 72".

Standard Color: White.

Special order colors available.

**Standards:**

- I.A.P.M.O. File No. 0687
- ANSI-Z-124.2
- CA-TITLE-24

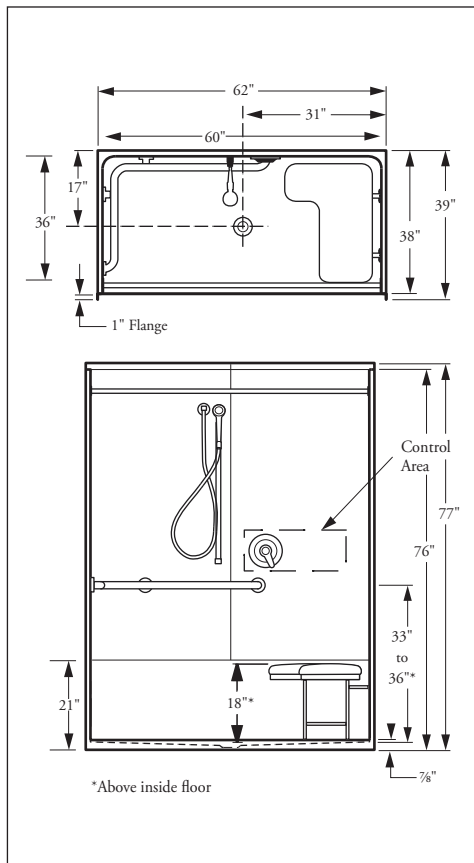


**FLORESTONE PRODUCTS CO., INC.**

2851 Falcon Drive • Madera, CA 93637

T. 559.661.4171 • T. 800.446.8827

F. 559.661.2070 • florestone.com



ADA  
COMPLIANT\*

CALIFORNIA  
ADA  
COMPLIANT\*

Note: Units sold in CA

DO NOT come with a slide bar.

Instead a stationary wall hook

will be installed per CA-ADA

requirements (2008).

**Specify Right or Left Hand Seat**

**Dimensions may vary ± 1/4" inch.  
Please check unit before installation.**

For barrier-free installation, contractor shall provide 5/8" minimum recess for curb in sub floor.

ADA compliance when accessories installed by manufacturer.  
**Note: Exterior floor drain for water run-off recommended.**  
 Symmons® is a Registered Trade Mark of Symmons Industries, Inc.  
 Moen® is a Registered Trade Mark of Moen Corporation.

Dimensions subject to  
change without notice.

Contact Florestone  
Products to verify  
product specifications.