



California Faucets®

**Descanso®**

**WALL LAVATORY**

**Features**

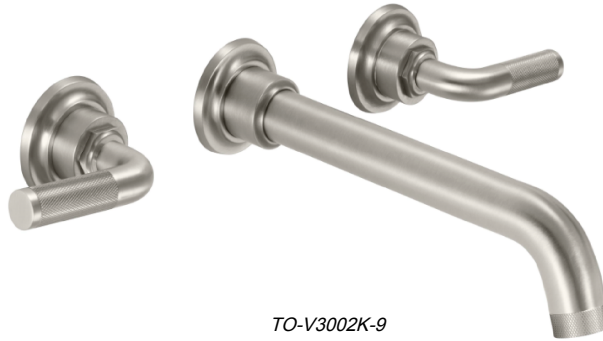
- Over 28 finishes including 13 PVD finishes
- All brass construction
- 1.2 gpm (4.5 L/min) max flow rate
- Rough valve (CF-VL-R) sold separately

**Codes/Standards**

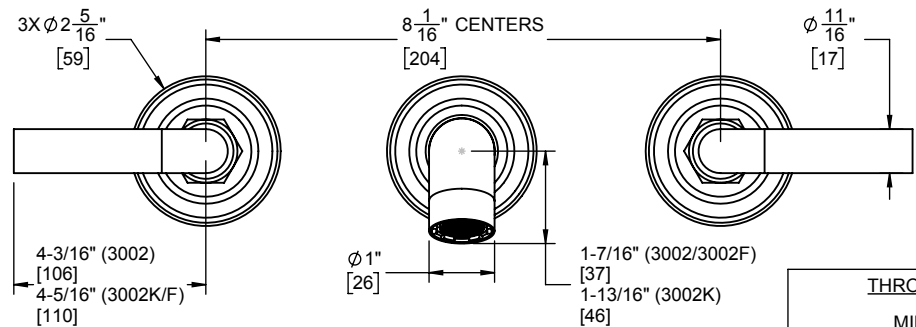
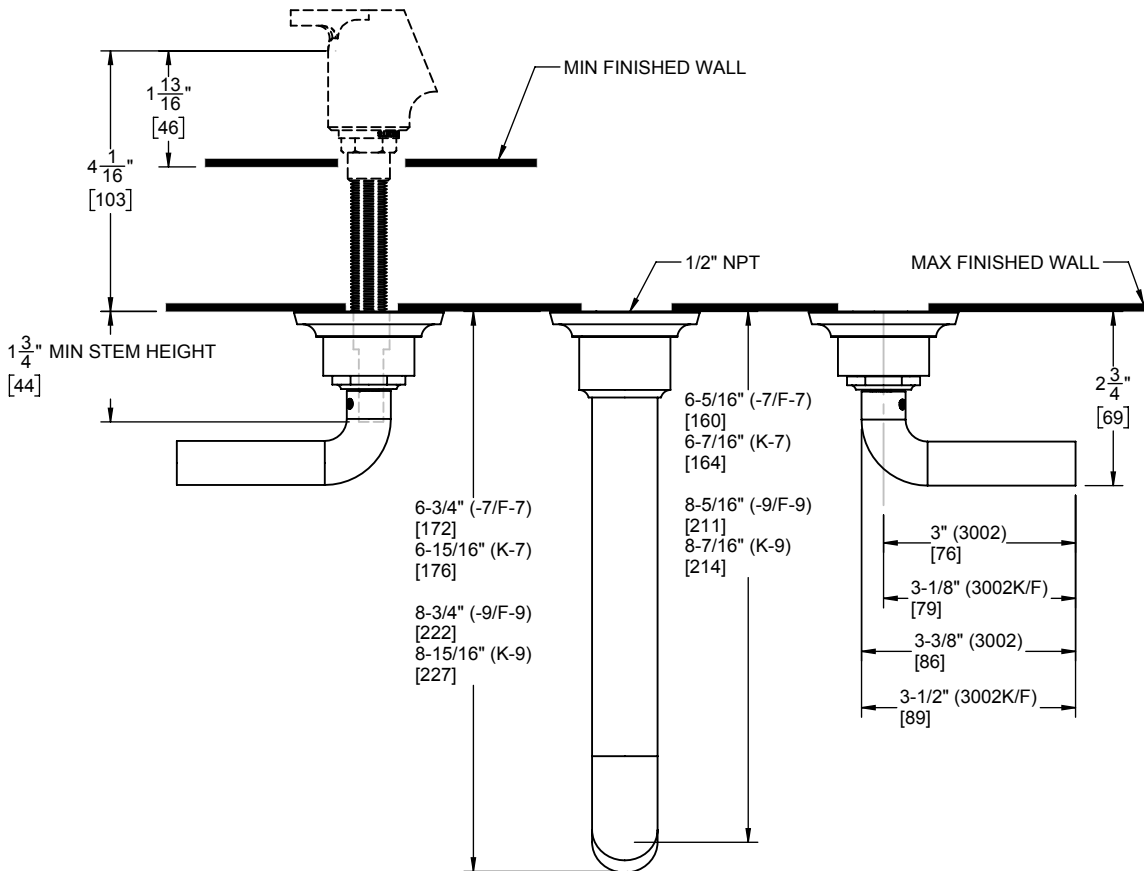
Product meets or exceeds the following:

- ASME A112.18.1/CSA B125.1
- NSF/ANSI 61 & NSF/ANSI 372
- CEC & DOE
- Commonwealth of MA
- EPA WaterSense High Efficiency Lavatory
- ADA compliant

**TO-V3002-7/9**  
**TO-V3002K-7/9**  
**TO-V3002F-7/9**



TO-V3002K-9



THROUGH-HOLE SPECIFICATIONS		
MIN	RECOMMENDED	MAX
SPOUT: $\phi 1$ " [25]	$\phi 1\text{-}1/4$ " [32]	$\phi 1\text{-}15/16$ " [49]
VALVE: $\phi 1\text{-}1/4$ " [32]	$\phi 1\text{-}1/4$ " [32]	$\phi 1\text{-}15/16$ " [49]

SPECIFICATIONS SUBJECT TO CHANGE WITHOUT NOTICE